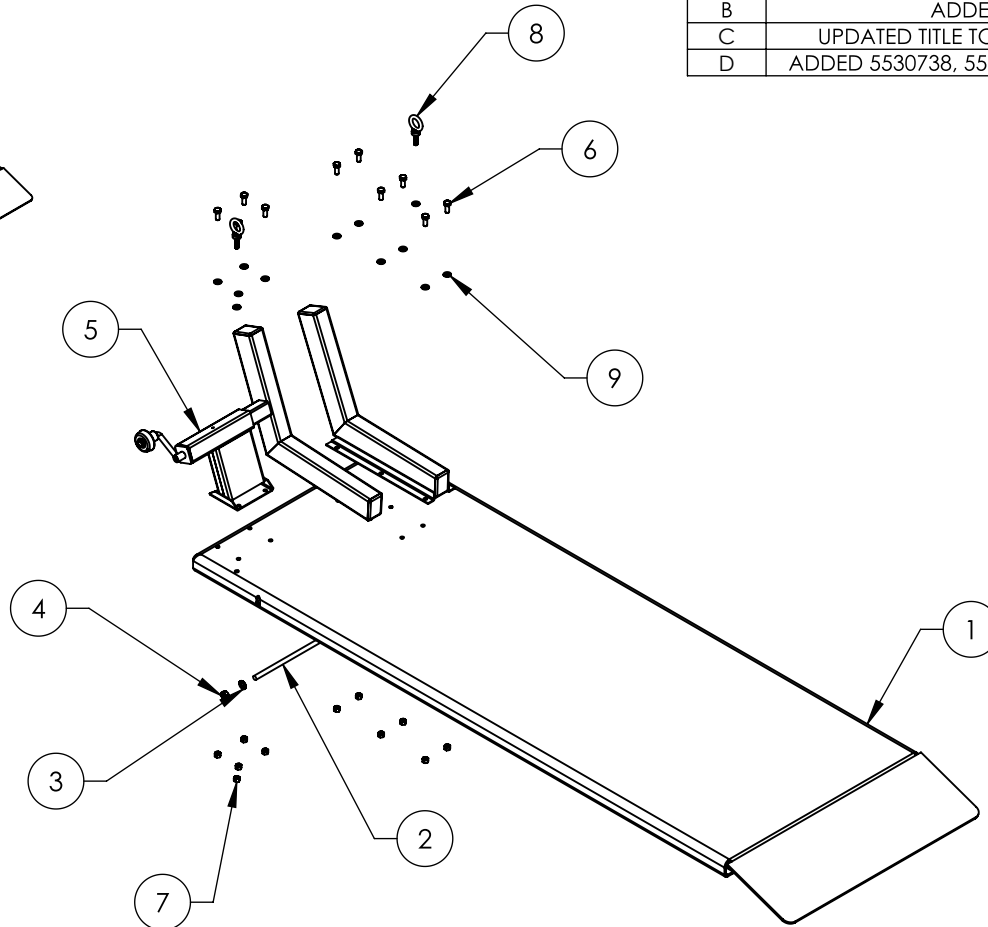


ISOMETRIC VIEW
FOR REFERENCE ONLY
DO NOT SCALE



REVISION				
REV	DESCRIPTION	DATE	EDITED BY	ECO#
B	ADDED 5323219	02/03/2017	TM	00809
C	UPDATED TITLE TO REFLECT INVENTORY	05/05/2017	TM	00827
D	ADDED 5530738, 5535013, 5530788, 5545341	07/03/2018	TS	00971

ITEM NO	PART NUMBER	DESCRIPTION	QTY	REV
1	5701523	BL-3500/5000SLX MOTORCYCLE RAMP	1	C
2	5746440	DOUBLE THREADED ROD M12 x 1.75 x 748	1	A
3	5545347	WASHER, M12 FLAT WASHER	2	-
4	5535354	NUT M12 x 1.75	2	-
5	5323219	WHEEL VISE ASSEMBLY	1	-
6	5530738	HHB M10 x 1.5 x 25	10	-
7	5535013	NUT M10 x 1.5 NL	12	-
8	5530788	EYE M10 x 1.5 x 28 ID	2	-
9	5545341	WASHER M10 x Ø20 FLAT	12	-

MOTORCYCLE ADAPTER KIT QUICKJACK™

FOR USE WITH
5260586
5260587
5260588

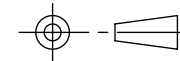
DO NOT SCALE DRAWING

DIMENSIONS ARE IN MM



NAME	DATE
DRAWN TM	12/30/2016
CHECKED CA	7/5/2018

THIRD ANGLE PROJECTION



PROPRIETARY AND CONFIDENTIAL
THE INFORMATION CONTAINED IN THIS DRAWING IS THE SOLE PROPERTY OF BENDPAK INC. ANY REPRODUCTION IN PART OR AS A WHOLE WITHOUT THE WRITTEN PERMISSION OF BENDPAK INC. IS PROHIBITED.

BP BendPak.
1645 LEMONWOOD DR.
SANTA PAULA, CA 93060

TITLE: BL SERIES MOTOCYCLE ADAPTER KIT

SIZE DWG. NO. A 5150007 REV D

SCALE: 1:20 SHEET 1 OF 1